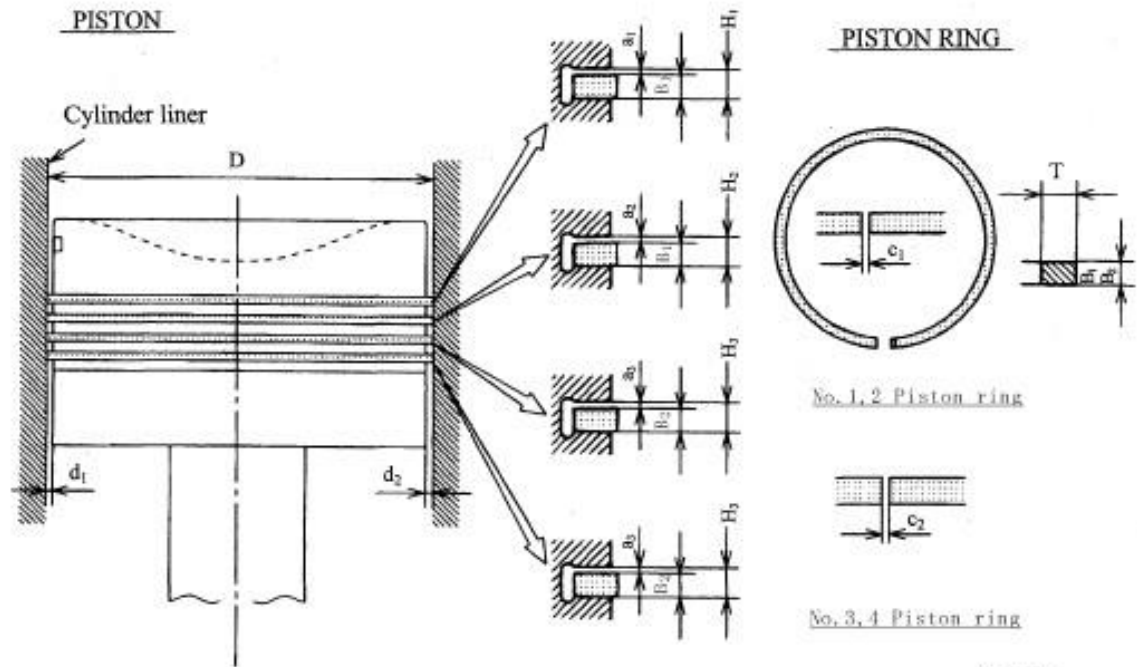


MITSUBISHI UEC45LSE	Clearance Table	Piston and Piston Ring	GROUP 0060 ITEM 04
------------------------	--------------------	------------------------	-----------------------



UNIT : mm

Nominal dimension	Standard clearance	Limit of clearance	Remarks
—	$a_1=0.36\sim0.42$	} 0.7	
—	$a_2=0.27\sim0.34$		
—	$a_3=0.21\sim0.28$		
—	$c_1=3.20\sim3.50$	—	
—	$c_2=3.20\sim3.50$	—	
—	$d_1+d_2=0.70\sim0.827$	—	Piston skirt-Cylinder liner
$H_1=9.86\sim9.89$	—	—	
$H_2=9.77\sim9.81$	—	—	
$H_3=9.71\sim9.75$	—	—	
$T=$ New 14.85~15.15	—	12.5	
$B_1=$ New 9.47~9.50	—	—	
$B_2=$ New 9.47~9.50	—	—	
$D=$ New 450.000~450.097	—	453.2	Cyl. liner inside dia.